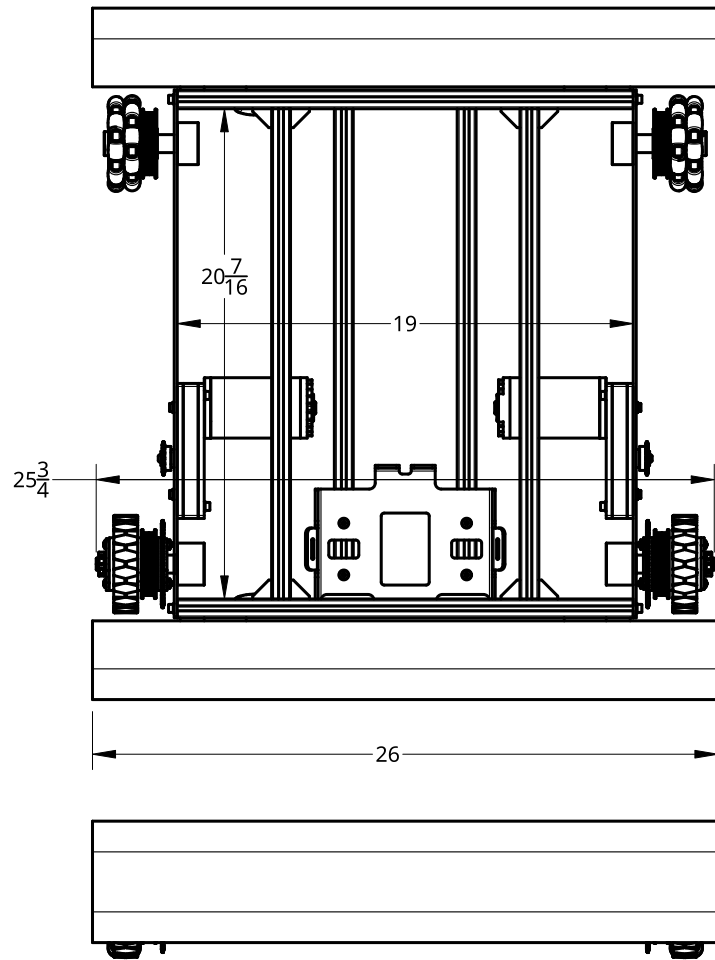
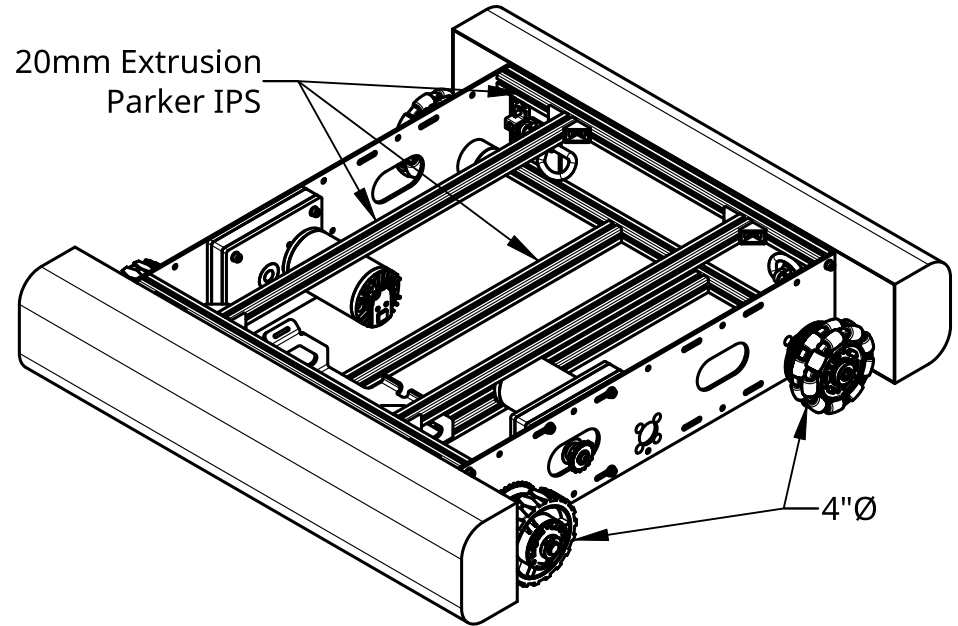


2

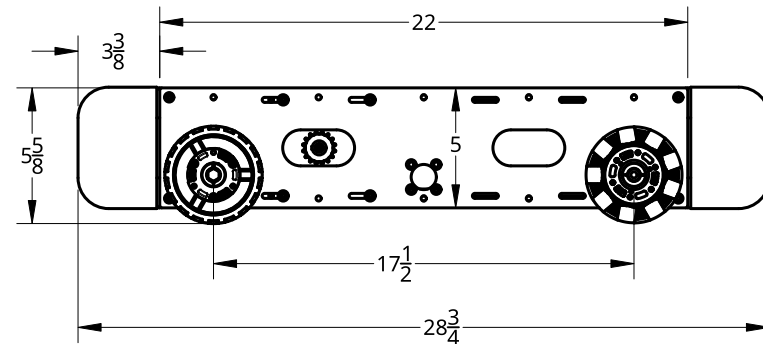
1



20mm Extrusion
Parker IPS



4"Ø



UNLESS OTHERWISE SPECIFIED,
DIMENSIONS ARE IN INCHES

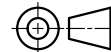
.XX = ±.0-
.XXX = ±.00-
.XXXX = ±.000-
ANGULAR = ± °
FRACTIONAL = ±

SURFACE FINISH

DO NOT SCALE DRAWING

BREAK ALL SHARP EDGES AND
REMOVE BURRS

THIRD ANGLE PROJECTION



	NAME	DATE
DRAWN	JC@RFQ	11/19/2020
CHECKED		
APPROVED		
MATERIAL	FINISH	

TITLE		
Betabase 200 Avec parc-chocs With bumpers		
SIZE	DWG NO.	REV.
A		
SCALE	WEIGHT	SHEET
1:8		1 of 1

2

1